

3DX flameproof motors 3DX系列三相异步电动机



Let us present BEVI

Founded in 1931, BEVI is one of the Nordic region's largest companies working with electric drive and power generation supporting a wide range of applications and industries, including the Marine industry. Electric motors is our core business and we are always at the cutting edge in terms of product development and quality of energy efficient drive systems.

We are active in Sweden, Denmark, Norway, Finland, Lithuania, Estonia, South Korea and China mainly through our own companies, but also through distributors. It provides good, local contact and good accessibility. The headquarters is located in Blomstermåla, Sweden.

BEVI AB is certified according to ISO 9001, ISO 14001 and 80079-34.

There are local variations in our offer but overall the BEVI group offers a comprehensive range of electric motors, generators, transmissions, power electronics, component materials and starting equipment. We also perform service on electrical machines up to 20 tonnes.

BEVI is part of Addtech, a Swedish publicly listed technology trading group comprising of 130 independent companies that sell high-tech products and solutions to customers in around 20 countries.

BEVI简介

BEVI是北欧地区最大的驱动设备和电力设备供应商之一，自1931年开始生产各种用途的电动机。电动机为其核心产品，产品研发和产品质量处于领先行列。

BEVI在瑞典、丹麦、挪威、芬兰、立陶宛、爱沙尼亚、韩国和中国设有公司和经销商，为当地的用户提供优质产品和服务。

BEVI AB获得了ISO9001、ISO14001和ISO80079-34质量体系认证。

BEVI可以为用户提供电动机、发电机、传动设备、电子设备、产品部件、原材料及起动设备，也可为20吨以下的电机提供维修服务。

BEVI是瑞典上市公司ADDTECH AB的成员，ADDTECH拥有130多家企业，为20多个国家和地区的用户提供高科技产品和解决方案。

Content / 目录

3DX motor description	4
3DX系列电机概述	6
Constructions and mounting arrangements / 安装结构型式	8
Terminal box and cable glands / 接线盒及格兰	8
Bearing size / 轴承牌号	9
Technical data / 性能数据	
2 pole motors / 2 极	10
4 pole motors / 4 极	11
6 pole motors / 6 极	12
8-10 pole motors / 8-10 极	13
Dimensions / 尺寸	
B3	14
B5	15
V1	16
B35	17
B14, B34	18

3DX motor description

General description

The 3DX series of flameproof three phase induction motors have the following features:

- High efficiency (IE3) and excellent performance
- Light weight and compact construction
- Safe and reliable operation
- Long operation life
- Easy maintenance

3DX motors are developed and manufactured as Ex db IIB T4 Gb or Ex db IIC T4 Gb according to the latest requirements of standards IEC60079.

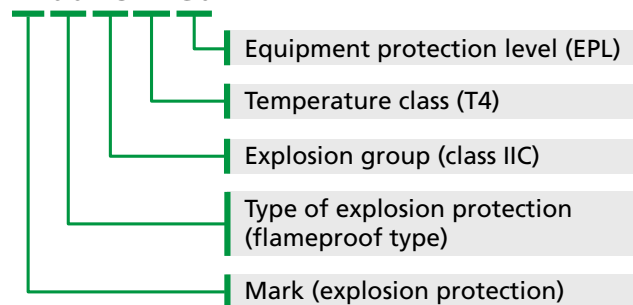
The output ratings and mounting dimensions conform to relevant parts of IEC 60034 and 60072 standards.

- IEC 60079-0
Equipment - General requirements
- IEC 60079-1
Equipment protection by flameproof enclosures "d".



Explanation of Ex marking and designation

Ex db IIC T4 Gb



Construction features

The flameproof constructions for Ex db IIB T4 Gb and Ex db IIC T4 Gb are available.

Enclosure (Degree of Protection) and cooling form

The degree of protection is:

- IP55/IP65 for Ex db IIB T4
- IP56/ IP66 for Ex db IIC T4.

The cooling form is IC411 as standard. IC416 is available as an option.

Insulation class

All motors are wound with Class F material, but calculated with temperature rise according to class B.

As option we can offer class H insulation material.

Materials

The stator windings are wound with polyester enamel round wire of high strength and then treated with the progress of vacuum-pressure impregnation (VPI), to make them become a solid integral. Therefore, the winding insulation is excellent in electrical and mechanical properties, moisture resistance and thermal stability.

The rotors are of cast-aluminum and dynamically balanced to make the motor operate smoothly with small vibration and low noise.

The stator and rotor cores are laminated with high-class electrical steel sheet with high permeability and low loss, thus makes the motors possess low loss and high efficiency.

Bearings

The motors are fitted with low vibration and low noise bearings special for motors.

For motors of frame size 132 and below use bilaterally shielded ball bearings. At the driving ends corrugated spring washers are pressed on bearings with proper pressure, to restrain effectively the vibration and noise produced during motors' operation.

Motors of frame size 160 and above use bearings with inner and outer covers. Retaining rings at bearing position are equipped on shafts to prevent the rotor efficiently from moving axially. These bearings are re-greasable. See the BEVI 3DX manual for information on regreasing interval.

For safe and reliable operation the bearings on the motors of frame size 160 and above are provided with grease nipples. These are used to drain or replenish the lubricating grease without stopping the motors.

Fans and fan covers

For motors of frame size 80–280 and below, the fans are made of non sparking thermoelectrical material.

Motors of frame size 315–355 and above are fitted with cast-aluminum or steel-plate-welded fans of lightweight and high strength.

For the whole motor series, the fans are fixed with a key on the shaft and fastening on the end of the shaft to make the motor operation safe and reliable.

The fan cover is made of steel. On a prerequisite of preventing from the ingress of solid substances of certain size, they enable the motors to get maximum area of ventilation in order to form adequate currents.

Service conditions

Electrical conditions

Rated voltage: 220, 230, 380, 400, 415, 440, 460, 480, 660, 690, 220/380, 230/400, 380/660 or 400/690 V.

Rated frequency: 50Hz or 60 Hz.

Duty type: Continuous S1. Intermittent duty can also be used as per the operation manual.

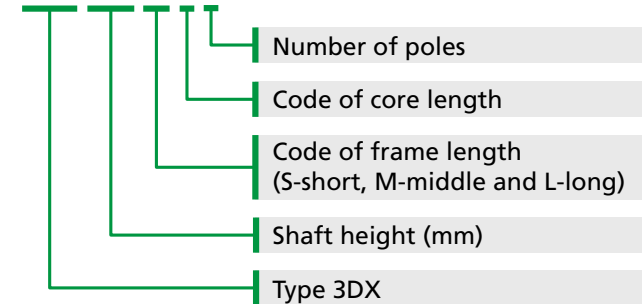
Ambient conditions

The altitude is up to 1000 m above sea level. The ambient temperature belongs to indoor circumstance of -20°C – $+40^{\circ}\text{C}$.

If the ambient temperature is different from above, the motor should be derated as per the operation manual.

Explanation of type designation

3DX 355 M 1-4



3DX系列电机概述

概述

3DX系列隔爆型电动机机具有下列特点：

- 效率高 (IE3)
- 性能优良
- 体积小、重量轻
- 运行安全可靠
- 寿命长
- 安装使用维修方便

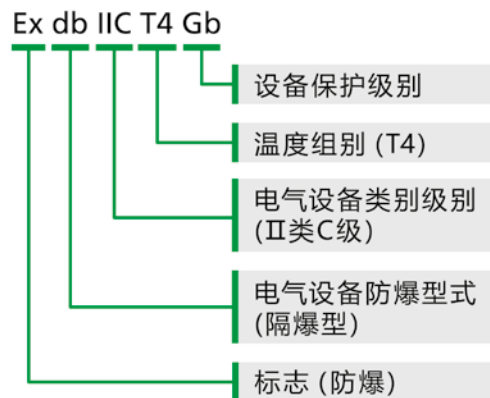
3DX系列电动机按照最新的IEC60079TXI 系列标准设计制造成隔爆型 Ex db IIB T4 Gb或Ex db IIC T4 Gb, 其功率等级和安装尺寸对应于相应的IEC60034和IEC60072标准。

- IEC 60079-0 爆炸性环境用防爆电气设备 – 通用要求
- IEC 60079-1 爆炸性环境用防爆电气设备 – 隔爆型 “d”



3DX系列三相异步电动机

电动机防爆标志代表的意义



结构特征

电动机的隔爆结构具有Ex db IIBT4 Gb或Ex db IICT4 Gb。

主体外壳防护等级 和 冷却方式

电动机主体外壳防护等级为IP55/IP65(Ex db IIBT4 Gb)或IP56/IP66 (Ex db IICT4 Gb)。

- IP55/IP65 (Ex db IIBT4 Gb)
- IP56/IP66 (Ex db IICT4 Gb)

电动机的冷却方式为IC411。也可满足IC416强迫通风的要求。

绝缘等级

电动机绝缘等级为F级，时温升按B级考核。H级绝缘也可满足。

使用材料

电动机定子绕组采用高强度聚酯漆包圆铜线，并经VPI真空加压浸漆处理成为一个完整的整体，绕组及绝缘具有良好的电气、机械、防潮性能及热稳定性。

电动机转子采用铸铝结构，转子经动平衡核验，电动机运转平稳、振动小、噪声低。

电动机定、转子冲片采用高导磁、低损耗优质电工硅钢片，电动机损耗低、效率高。

轴承

电动机轴承选用电动机专用低振动、低噪声轴承，机座号132及以下采用双面密封轴承，在轴伸端装有波形弹簧垫圈，以适度压力靠轴承，有效抑制电动机运转时产生的振动和噪声。

机座号160及以上采用内、外盖结构，并在轴承部位采用挡圈轴向固定，有效地防止电动机转子的轴向窜动。轴承可

以再润滑，见3DX使用说明书中的资料及再润滑间隔。

为使电动机安全可靠运行，机座号160及以上电动机轴承结构设置有注排油装置，可实现不停机加注新润滑脂和排除旧润滑脂。

电动机风扇、风罩

机座号280及以下电动机采用防静电塑料风扇，其转动惯量小、损耗低，机座号315及以上采用铸铝或钢板焊接风扇，重量轻、强度高，全系列风扇与轴采用键联接，运行可靠。所有风扇用键固定在电机转轴上，确保风路通畅，运行安全。

风罩为钢板结构，在防止一定大小的外物侵入的前提下得到最大的通风面积，使风路通畅。

电动机使用条件

电动机使用电气条件

额定电压：220、230、380、400、415、440、460
480、660、690、220/380、230/400、380/660
400/690 V。

额定频率：50Hz、60 Hz。

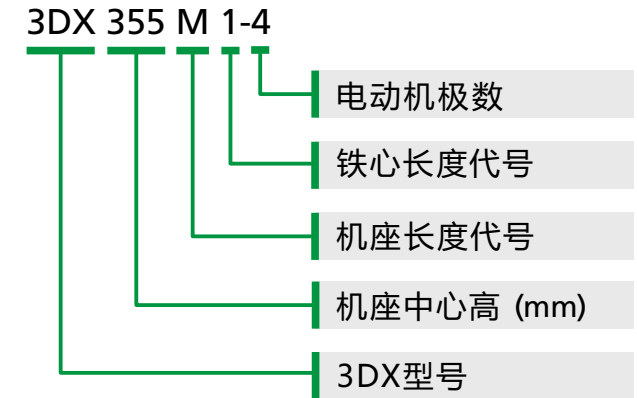
定额：连续工作制S1，也可按使用说明书规定用于断续工作制。

电动机使用环境条件

海拔不超过1000m，环境空气温度为室内-20 ~ +40°C。

当海拔或环境温度超过上述规定时，可按使用说明书的规定降容使用。

电动机型号代表的意义

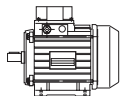


Constructions and mounting arrangements

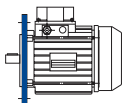
安装结构型式

Horizontal shaft position 卧式安装

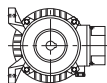
B3
80-355 *



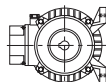
B5
80-280 *



B6
80-160 *



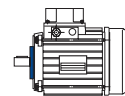
B7
80-160 *



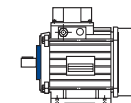
B8
80-160 *



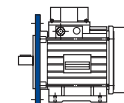
B14
80-160 *



B34
80-132 *

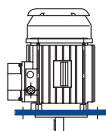


B35
80-355 *

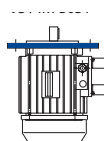


Vertical shaft position 立式安装

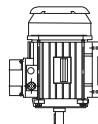
V1
80-355 *



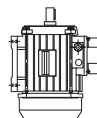
V3
80-160 *



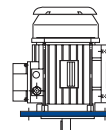
V5
80-160 *



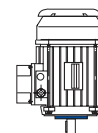
V6
80-160 *



V15
80-355 *



V18
80-132 *



* Frame/机座号

Terminal box

接线盒

For frame size 适用机座号	Number of entry 进线口数	Cable gland 进线口螺纹	Cable for heater or PTC 加热器或PTC管接头
80-100	One 单	M25 × 1.5	M20 × 1.5
112	One 单	M25 × 1.5	M20 × 1.5
132	One 单	M40 × 1.5	M20 × 1.5
160-180	One 单	M40 × 1.5	M20 × 1.5
200-225	One 单	M50 × 1.5	M20 × 1.5
250-280	One 单	M63 × 1.5	M20 × 1.5
250-280	Two 双	M50 × 1.5	M20 × 1.5
315	Two 双	M63 × 1.5	M20 × 1.5
355	Two 双	M72 × 2	M20 × 1.5

Cable glands

格兰

Gland size 格兰螺纹规格	Clamping range 极数	Thread OD AG 螺纹外径	Thread length GL 螺纹长度	H	Wrench size 扳手规格
M16 × 1.5	6-12 mm	16 mm	15 mm	29 mm	26 mm
M20 × 1.5	10-15mm	20 mm	15 mm	29.5 mm	30 mm
M25 × 1.5	14-18mm	25 mm	15 mm	29.5 mm	34 mm
M32 × 1.5	22-27mm	32 mm	15 mm	32 mm	50 mm
M40 × 1.5	26-33mm	40 mm	15 mm	32 mm	55 mm
M50 × 1.5	32-41mm	50 mm	15 mm	37 mm	65 mm
M63 × 1.5	48-57mm	63 mm	20 mm	38 mm	80 mm



Bearing size

轴承牌号

Frame size 机座号	Poles 极数	Bearing size / 轴承牌号	
		DE 轴伸端	NDE 非轴伸端
80	2,4,6,8	6204-2RZ/C3	6204-2RZ/C3
90	2,4,6,8	6205-2RZ/C3	6205-2RZ/C3
100	2,4,6,8	6206-2RZ/C3	6206-2RZ/C3
112	2,4,6,8	6206-2RZ/C3	6206-2RZ/C3
132	2,4,6,8	6208-2RZ/C3	6208-2RZ/C3
160 (Ex db IIB)	2	6209/C3	6209/C3
160 (Ex db IIB)	4,6,8	6309/C3	6209/C3
160 (Ex db IIC)	2	6209-2RZ/C3	6209-2RZ/C3
160 (Ex db IIC)	4,6,8	6309-2RZ/C3	6209-2RZ/C3
180	2,4,6,8	6311/C3	6211/C3
200	2	6212/C3	6212/C3
200	4,6,8	6312/C3	6212/C3
225	2	6312/C3	6312/C3
225	4,6,8	6313/C3	6312/C3
250	2	6313/C3	6313/C3
250	4,6,8	6314/C3	6313/C3
280	2	6314/C3	6314/C3
280M	4,6,8	6317/C3	6314/C3
315	2	6316/C3	6316/C3
315	4,6,8,10	6319/C3	6319/C3
355	2	6319/C3	6319/C3
355	4,6,8,10	6322/C3	6319/C3

Warning:
Please refer to the nameplate data when replacing bearing.

注意:
更换轴承时请参考铭牌上的轴承牌号

Technical data / 性能数据

2

2 pole motors / 2 极

Type	400V 50Hz data at +40°C			440V 60Hz data at +45°C			Efficiency 效率 %	Power factor 功率因数 cos φ	Starting current ratio, 起动电流倍数 Ia/In	Starting torque ratio 起动转矩倍 数 Ma/Mn	Pull out torque ratio 最大转矩倍 数 Mmax/Mn	Noise No Load Lw dB(A)	Vibration No Load mm/s	Moment of iner- tia 转动惯量 kg m ²	Mass (B3) 重量 kg
	Power 功率 kW	Full load speed 满载转速 rpm	Full load current 满载电流 (A)	Power 功率 kW	Full load speed 满载转速 rpm	Full load current 满载电流 (A)									
3DX 80M1-2	0.75	2885	1.6	0.86	3462	1.7	80.7	0.83	6.8	2.3	2.3	67	1.3	0.001	29
3DX 80M2-2	1.1	2885	2.3	1.25	3462	2.4	82.7	0.83	7.3	2.3	2.3	67	1.3	0.0013	31
3DX 90S-2	1.5	2885	3.0	1.7	3462	3.2	84.2	0.84	7.6	2.3	2.3	72	1.3	0.002	36
3DX 90L-2	2.2	2890	4.4	2.5	3468	4.5	85.9	0.85	7.8	2.3	2.3	72	1.3	0.0026	40
3DX 100L-2	3	2895	5.7	3.4	3474	5.9	87.1	0.87	8.1	2.3	2.3	76	1.3	0.0044	50
3DX 112M-2	4	2895	7.4	4.6	3474	7.7	88.1	0.88	8.3	2.3	2.3	77	1.3	0.006	67
3DX 132S1-2	5.5	2920	10.1	6.3	3504	10.5	89.2	0.88	8.0	2.2	2.3	80	1.3	0.014	85
3DX 132S2-2	7.5	2915	13.5	8.6	3498	14.0	90.1	0.89	7.8	2.2	2.3	80	1.3	0.0162	89
3DX 160M1-2	11	2945	19.6	12.5	3534	20.3	91.2	0.89	7.9	2.2	2.3	86	1.8	0.0525	152
3DX 160M2-2	15	2945	26.5	17.1	3534	27.5	91.9	0.89	8.0	2.2	2.3	86	1.8	0.0608	164
3DX 160L-2	18.5	2940	32.5	21.1	3528	33.7	92.4	0.89	8.1	2.2	2.3	86	1.8	0.0696	177
3DX 180M-2	22	2960	38.5	25.1	3552	39.9	92.7	0.89	8.2	2.2	2.3	88	1.8	0.0864	240
3DX 200L1-2	30	2965	52	34.2	3558	54	93.3	0.89	7.5	2.2	2.3	90	1.8	0.163	289
3DX 200L2-2	37	2965	64	42.2	3558	66	93.7	0.89	7.5	2.2	2.3	90	1.8	0.172	307
3DX 225M-2	45	2965	78	51	3558	80	94.0	0.89	7.6	2.2	2.3	92	1.8	0.3562	378
3DX 250M-2	55	2965	95	63	3558	98	94.3	0.89	7.6	2.2	2.3	93	1.8	0.459	529
3DX 280S-2	75	2980	128	86	3576	133	94.7	0.89	6.9	2.0	2.3	94	1.8	1.0074	645
3DX 280M-2	90	2970	154	103	3564	159	95.0	0.89	7.0	2.0	2.3	94	1.8	1.0592	701
3DX 315S-2	110	2980	187	125	3576	194	95.2	0.89	7.1	1.9	2.3	96	2.3	1.3861	1075
3DX 315M-2	132	2980	224	150	3576	233	95.4	0.89	7.1	1.9	2.3	96	2.3	1.7088	1182
3DX 315L1-2	160	2980	271	182	3576	281	95.6	0.89	7.1	1.9	2.2	98	2.3	1.74	1303
3DX 315L2-2	200	2980	339	228	3576	351	95.8	0.89	7.1	1.9	2.2	98	2.3	2.141	1525
3DX 355S1-2	185	2980	314	211	3576	325	95.7	0.89	7.1	1.9	2.2	98	2.3	2.88	1680
3DX 355S2-2	200	2980	339	228	3576	351	95.8	0.89	7.1	1.9	2.2	98	2.3	3.05	1740
3DX 355M1-2	220	2980	372	251	3576	386	95.8	0.89	7.1	1.8	2.2	100	2.3	3.67	1790
3DX 355M2-2	250	2980	423	285	3576	439	95.8	0.89	7.1	1.8	2.2	100	2.3	4.02	1840
3DX 355L1-2	280	2980	474	319	3576	491	95.8	0.89	7.1	1.8	2.2	100	2.3	4.16	2040
3DX 355L2-2	315	2980	533	359	3576	553	95.8	0.89	7.1	1.8	2.2	100	2.3	4.86	2060

Technical data / 性能数据

4

4 pole motors / 4极

Type	400V 50Hz data at +40°C			440V 60Hz data at +45°C			Efficiency 效率 %	Power factor 功率因数 cos φ	Starting current ratio, 起动电流倍数 Ia/In	Starting torque ratio 起动转矩 倍数 Ma/Mn	Pull out torque ratio 最大转矩倍 数 Mmax/Mn	Noise No Load Lw dB(A)	Vibration No Load mm/s	Moment of iner- tia 转动惯量 kg m ²	Mass (B3) 重量 kg
	Power 功率 kW	Full load speed 满载转速 rpm	Full load current 满载电流 (A)	Power 功率 kW	Full load speed 满载转速 rpm	Full load current 满载电流 (A)									
3DX 80M1-4	0.55	1435	1.3	0.63	1722	1.4	79.0	0.74	6.3	2.3	2.3	58	1.3	0.0016	29
3DX 80M2-4	0.75	1435	1.8	0.86	1722	1.9	82.5	0.74	6.5	2.3	2.3	58	1.3	0.002	30
3DX 90S-4	1.1	1435	2.6	1.25	1722	2.7	84.1	0.74	6.6	2.3	2.3	61	1.3	0.003	37
3DX 90L-4	1.5	1440	3.4	1.7	1728	3.5	85.3	0.74	6.9	2.3	2.3	61	1.3	0.0038	40
3DX 100L1-4	2.2	1445	4.6	2.5	1734	4.7	86.7	0.80	7.5	2.3	2.3	64	1.3	0.0077	51
3DX 100L2-4	3	1445	6.1	3.4	1734	6.3	87.7	0.81	7.6	2.3	2.3	64	1.3	0.0093	56
3DX 112M-4	4	1455	8.1	4.6	1746	8.4	88.6	0.81	7.7	2.3	2.3	65	1.3	0.128	72
3DX 132S-4	5.5	1460	10.8	6.3	1752	11.2	89.6	0.82	7.5	2.0	2.3	71	1.3	0.0295	90
3DX 132M-4	7.5	1460	14.4	8.6	1752	14.9	90.4	0.83	7.4	2.0	2.3	71	1.3	0.0366	102
3DX 160M-4	11	1470	20.4	12.5	1764	21.1	91.4	0.85	7.5	2.0	2.3	75	1.8	0.0795	148
3DX 160L-4	15	1470	27.6	17.1	1764	28.6	92.1	0.85	7.5	2.0	2.3	75	1.8	0.1034	168
3DX 180M-4	18.5	1475	33.5	21.1	1770	34.7	92.6	0.86	7.7	2.0	2.3	76	1.8	0.1596	221
3DX 180L-4	22	1475	39.7	25.1	1770	41.1	93.0	0.86	7.8	2.0	2.3	76	1.8	0.2025	296
3DX 200L-4	30	1480	54	34.2	1776	56	93.6	0.86	7.2	2.0	2.3	79	1.8	0.3283	379
3DX 225S-4	37	1485	66	42.2	1782	69	93.9	0.86	7.3	2.0	2.3	81	1.8	0.484	409
3DX 225M-4	45	1485	80	51	1782	83	94.2	0.86	7.4	2.0	2.3	81	1.8	0.5653	507
3DX 250M-4	55	1480	98	63	1776	101	94.6	0.86	7.4	2.0	2.3	83	1.8	0.8761	699
3DX 280S-4	75	1490	130	86	1788	134	95.0	0.88	6.7	2.0	2.3	86	1.8	1.9542	724
3DX 280M-4	90	1490	155	103	1788	161	95.2	0.88	7.1	2.0	2.3	86	1.8	2.3513	756
3DX 315S-4	110	1490	189	125	1788	196	95.4	0.88	7.1	2.0	2.2	93	2.3	2.3783	1098
3DX 315M-4	132	1490	227	150	1788	235	95.6	0.88	7.1	2.0	2.2	93	2.3	2.6558	1150
3DX 315L1-4	160	1490	271	182	1788	281	95.8	0.89	7.1	2.0	2.2	93	2.3	2.9974	1274
3DX 315L2-4	200	1490	338	228	1788	350	95.9	0.89	7.1	2.0	2.2	94	2.3	4.1225	1566
3DX 355S1-4	185	1488	313	211	1786	324	96.0	0.89	7.1	2.0	2.2	94	2.3	6.02	1867
3DX 355S2-4	200	1488	338	228	1786	350	96.0	0.89	7.1	2.0	2.2	94	2.3	6.3	1917
3DX 355M1-4	220	1488	372	251	1786	385	96.0	0.89	7.1	2.0	2.2	95	2.3	6.42	1941
3DX 355M2-4	250	1488	418	285	1786	433	96.0	0.90	7.1	2.0	2.2	95	2.3	7.92	2006
3DX 355L1-4	280	1488	468	319	1786	485	96.0	0.90	7.1	2.0	2.2	95	2.3	6.77	2173
3DX 355L2-4	315	1488	526	359	1786	545	96.0	0.90	7.1	2.0	2.2	95	2.3	7.8149	2203

Technical data / 性能数据

6

6 pole motors / 6 极

Type	400V 50Hz data at +40°C			440V 60Hz data at +45°C			Efficiency 效率	Power factor 功率因数	Starting current ratio, 起动电流倍数	Starting torque ratio 起动转矩倍 数	Pull out torque ratio 最大转矩倍 数	Noise No Load	Vibration No Load	Moment of inertia 转动惯量	Mass (B3) 重量
	Power 功率	Full load speed 满载转速	Full load current 满载电流	Power 功率	Full load speed 满载转速	Full load current 满载电流									
	kW	rpm	(A)	kW	rpm	(A)									
3DX 80M1-6	0.37	890	1.2	0.42	1068	1.3	62.6	0.69	4.7	1.9	2.0	54	1.3	0.0023	27.6
3DX 80M2-6	0.55	890	1.5	0.63	1068	1.6	73.6	0.71	4.7	1.9	2.1	54	1.3	0.003	30
3DX 90S-6	0.75	950	1.9	0.86	1140	2.0	78.9	0.71	5.8	2.1	2.1	57	1.3	0.0038	35
3DX 90L-6	1.1	950	2.8	1.25	1140	2.9	81.0	0.72	5.9	2.1	2.1	57	1.3	0.0053	40
3DX 100L-6	1.5	955	3.6	1.7	1146	3.7	82.5	0.73	6.0	2.1	2.1	61	1.3	0.0107	48
3DX 112M-6	2.2	955	5.1	2.5	1146	5.3	84.3	0.73	6.0	2.1	2.1	65	1.3	0.0151	62
3DX 132S-6	3	975	6.8	3.4	1170	7.0	85.6	0.74	6.2	2.0	2.1	69	1.3	0.0318	87
3DX 132M1-6	4	975	9.0	4.6	1170	9.3	86.8	0.74	6.8	2.0	2.1	69	1.3	0.0394	95
3DX 132M2-6	5.5	975	12.1	6.3	1170	12.5	88.0	0.75	7.1	2.0	2.1	69	1.3	0.0404	103
3DX 160M-6	7.5	980	15.6	8.6	1176	16.2	89.1	0.78	6.9	2.1	2.1	73	1.8	0.0964	147
3DX 160L-6	11	980	22.5	12.5	1176	23.3	90.3	0.78	6.9	2.1	2.1	73	1.8	0.127	175
3DX 180L-6	15	980	29.4	17.1	1176	30.5	91.2	0.81	7.2	2.0	2.1	73	1.8	0.201	230
3DX 200L1-6	18.5	980	35.9	21.1	1176	37.2	91.7	0.81	7.2	2.1	2.1	76	1.8	0.325	281
3DX 200L2-6	22	980	42.0	25.1	1176	43.5	92.2	0.82	7.3	2.1	2.1	76	1.8	0.371	284
3DX 225M-6	30	980	58	34.2	1176	60	92.9	0.81	7.1	2.0	2.1	76	1.8	0.547	360
3DX 250M-6	37	990	68	42.2	1188	71	93.3	0.84	7.1	2.1	2.1	78	1.8	0.9605	482
3DX 280S-6	45	990	81	51	1188	84	93.7	0.86	7.2	2.1	2.0	80	1.8	1.85	589
3DX 280M-6	55	990	98	63	1188	102	94.1	0.86	7.2	2.1	2.0	80	1.8	2.12	655
3DX 315S-6	75	995	135	86	1194	139	94.6	0.85	6.7	2.0	2.0	85	2.3	2.61	1074
3DX 315M-6	90	995	163	103	1194	169	94.9	0.84	6.7	2.0	2.0	85	2.3	3.04	1170
3DX 315L1-6	110	995	197	125	1194	204	95.1	0.85	6.7	2.0	2.0	85	2.3	3.71	1295
3DX 315L2-6	132	995	232	150	1194	241	95.4	0.86	6.7	2.0	2.0	85	2.3	4.24	1450
3DX 355S-6	160	995	278	182	1194	288	95.6	0.87	6.7	1.9	2.0	92	2.3	8.3585	1861
3DX 355M1-6	185	995	320	211	1194	332	95.9	0.87	6.7	1.9	2.0	92	2.3	7.7	1880
3DX 355M2-6	200	995	346	228	1194	359	95.8	0.87	6.7	1.9	2.0	92	2.3	9.464	1889
3DX 355L1-6	220	995	384	251	1194	398	95.0	0.87	6.7	1.9	2.0	92	2.3	9.8	2142
3DX 355L2-6	250	995	437	285	1194	452	95.0	0.87	6.7	1.9	2.0	92	2.3	11.215	2171

Technical data / 性能数据

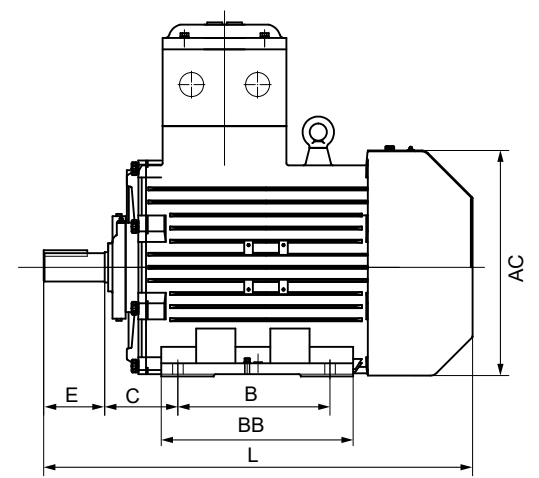
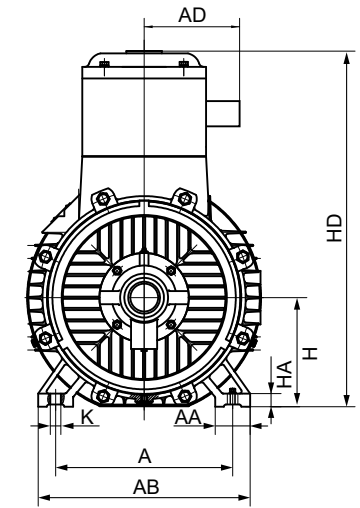
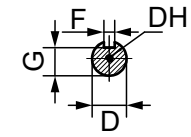
8-10

8-10 pole motors / 8-10 极

Type	400V 50Hz data at +40°C			440V 60Hz data at +45°C			Efficiency 效率	Power factor 功率因数	Starting current ratio, 起动电流倍数	Starting torque ratio 起动转矩 倍数	Pull out torque ratio 最大转矩倍 数	Noise No Load	Vibration No Load	Moment of inertia 转动惯量	Mass (B3) 重量
	Power 功率	Full load speed 满载转速	Full load current 满载电流	Power 功率	Full load speed 满载转速	Full load current 满载电流									
	kW	rpm	(A)	kW	rpm	(A)									
8 pole motors / 8 极															
3DX 100L2-8	1.1	690	3.2	1.25	828	3.3	70.8	0.69	5.0	1.8	2.0	59	1.3	0.0102	49
3DX 112M-8	1.5	690	4.3	1.71	828	4.4	72.9	0.70	5.0	1.8	2.0	61	1.3	0.0147	65
3DX 132S-8	2.2	710	5.7	2.5	852	5.9	78.0	0.71	6.0	1.8	2.0	64	1.3	0.0307	83
3DX 132M-8	3	710	7.5	3.4	852	7.8	79.0	0.70	6.0	1.8	2.0	64	1.3	0.0426	94
3DX 160M1-8	4	720	9.9	4.6	864	10.2	80.0	0.73	6.0	1.9	2.0	68	1.8	0.0635	132
3DX 160M2-8	5.5	720	13.1	6.3	864	13.6	82.1	0.74	6.0	1.9	2.0	68	1.8	0.0897	144
3DX 160L-8	7.5	720	17.2	8.6	864	17.8	84.1	0.75	6.0	1.9	2.0	68	1.8	0.127	166
3DX 180L-8	11	720	24.5	12.5	864	25.4	86.5	0.75	6.5	2.0	2.0	70	1.8	0.2138	223
3DX 200L-8	15	730	32.8	17.1	876	34.0	87.0	0.76	6.6	2.0	2.0	73	1.8	0.3588	279
3DX 225S-8	18.5	740	39.4	21.1	888	40.8	89.2	0.76	6.6	1.9	2.0	73	1.8	0.5488	332
3DX 225M-8	22	740	45.0	25.1	888	46.6	90.5	0.78	6.6	1.9	2.0	73	1.8	0.6454	363
3DX 250M-8	30	740	60	34.2	888	62	91.0	0.79	6.5	1.9	2.0	75	1.8	0.9876	478
3DX 280S-8	37	740	74	42.2	888	77	91.5	0.79	6.6	1.9	2.0	76	1.8	1.7092	585
3DX 280M-8	45	740	89	51	888	92	92.4	0.79	6.6	1.9	2.0	76	1.8	1.9875	648
3DX 315S-8	55	740	106	63	888	109	92.8	0.81	6.6	1.8	2.0	82	2.3	3.9597	972
3DX 315M-8	75	740	143	86	888	148	93.5	0.81	6.4	1.8	2.0	82	2.3	5.279	1080
3DX 315L1-8	90	740	170	103	888	176	93.3	0.82	6.4	1.8	2.0	82	2.3	6.2695	1226
3DX 315L2-8	110	740	207	125	888	214	93.6	0.82	6.4	1.8	2.0	82	2.3	7.4245	1310
3DX 355S-8	132	740	248	150	888	257	93.9	0.82	6.4	1.8	2.0	90	2.3	11.4275	1405
3DX 355M-8	160	740	299	182	888	310	94.1	0.82	6.4	1.8	2.0	90	2.3	13.936	1880
3DX 355L1-8	185	740	346	211	888	359	94.1	0.82	6.4	1.8	2.0	90	2.3	16.1657	1978
3DX 355L2-8	200	740	369	228	888	382	94.3	0.83	6.4	1.8	2.0	90	2.3	18.1168	2130
10 pole motors / 10 极															
3DX 315S-10	45	592	95	51	710	98	91.5	0.75	6.2	1.3	2.0	82	2.3	3.8772	972
3DX 315M-10	55	592	115	63	710	119	92.0	0.75	6.2	1.3	2.0	82	2.3	4.7846	1080
3DX 315L1-10	75	592	154	86	710	160	92.5	0.76	6.2	1.3	2.0	82	2.3	6.187	1226
3DX 315L2-10	90	592	182	103	710	188	93.0	0.77	6.2	1.3	2.0	82	2.3	7.2595	1310
3DX 355S-10	90	585	182	103	702	188	93.0	0.77	6.0	1.3	2.0	82	2.3	9.354	1405
3DX 355M1-10	110	585	218	125	702	226	93.2	0.78	6.0	1.3	2.0	90	2.3	11.4481	1880
3DX 355M2-10	132	585	261	150	702	271	93.5	0.78	6.0	0.8	2.0	90	2.3	13.9612	1960
3DX 355L1-10	160	585	317	182	702	328	93.5	0.78	6.0	0.8	2.0	90	2.3	17.3118	2086
3DX 355L2-10	185	585	366	211	702	379	93.5	0.78	6.0	0.8	2.0	90	2.3	19.9645	2130

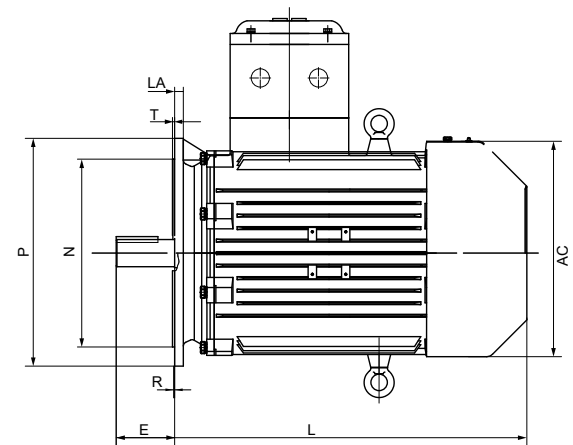
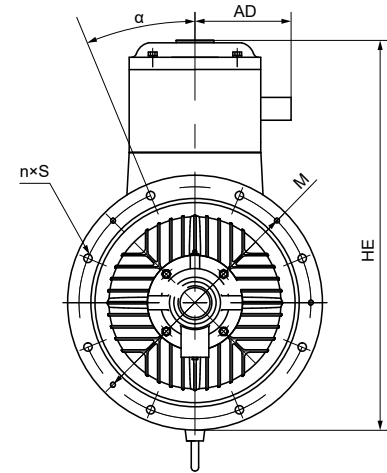
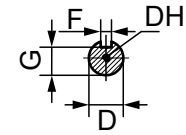
Dimensions B3 / 尺寸 B3

Frame size	Poles	A	B	C	D	E	F	G	DH	H	K	AA	AB	AC	AD	BB	HA	HD	L
80M	2,4,6,8	125	100	50	19	40	6	15.5	M6	80	10	34	165	170	180	130	10	320	330
90S	2,4,6,8	140	100	56	24	50	8	20	M8	90	10	36	180	185	180	135	14	330	370
90L	2,4,6,8	140	125	56	24	50	8	20	M8	90	10	36	180	185	180	160	14	330	395
100L	2,4,6,8	160	140	63	28	60	8	24	M10	100	12	43	205	210	180	180	14	360	448
112M	2,4,6,8	190	140	70	28	60	8	24	M10	112	12	50	240	225	200	180	16	380	500
132S	2,4,6,8	216	140	89	38	80	10	33	M12	132	12	60	280	265	200	190	18	430	550
132M	2,4,6,8	216	178	89	38	80	10	33	M12	132	12	60	280	265	200	230	18	430	600
160M	2,4,6,8	254	210	108	42	110	12	37	M16	160	14.5	70	320	320	220	260	20	500	720
160L	2,4,6,8	254	254	108	42	110	12	37	M16	160	14.5	70	320	320	220	310	20	500	750
180M	2,4,6,8	279	241	121	48	110	14	42.5	M16	180	14.5	70	355	360	220	315	25	540	770
180L	2,4,6,8	279	279	121	48	110	14	42.5	M16	180	14.5	70	355	360	220	355	25	540	790
200L	2,4,6,8	318	305	133	55	110	16	49	M20	200	18.5	70	400	400	250	370	25	650	850
225S	4,6,8	356	286	149	60	140	18	53	M20	225	18.5	75	435	450	250	360	28	695	890
225M	2	356	311	149	55	110	16	49	M20	225	18.5	75	435	450	250	385	28	695	890
	4,6,8	356	311	149	60	140	18	53	M20	225	18.5	75	435	450	250	385	28	695	920
250M	2	406	349	168	60	140	18	53	M20	250	24	80	500	500	275	430	30	730	965
	4,6,8	406	349	168	65	140	18	58	M20	250	24	80	500	500	275	430	30	730	965
280S	2	457	368	190	65	140	18	58	M20	280	24	85	545	550	275	455	35	800	1010
	4,6,8	457	368	190	75	140	20	67.5	M20	280	24	85	545	550	275	455	35	800	1010
280M	2	457	419	190	65	140	18	58	M20	280	24	85	545	550	275	505	35	800	1060
	4,6,8	457	419	190	75	140	20	67.5	M20	280	24	85	545	550	275	505	35	800	1060
315S	2	508	406	216	65	140	18	58	M20	315	28	120	640	630	350	630	45	960	1240
	4, 6, 8, 10	508	406	216	80	170	22	71	M20	315	28	120	640	630	350	630	45	960	1270
315M	2	508	457	216	65	140	18	58	M20	315	28	120	640	630	350	630	45	960	1240
	4, 6, 8, 10	508	406	216	80	170	22	71	M20	315	28	120	640	630	350	630	45	960	1270
315L	2	508	508	216	65	140	18	58	M20	315	28	120	640	630	350	780	45	960	1390
	4, 6, 8, 10	508	508	216	80	170	22	71	M20	315	28	120	640	630	350	780	45	960	1420
355S	2	610	500	254	75	140	20	67.5	M20	355	28	150	740	710	350	710	52	1030	1450
	4, 6, 8, 10	610	500	254	95	170	25	86	M24	355	28	150	740	710	350	710	52	1030	1480
355M	2	610	560	254	75	140	20	67.5	M20	355	28	150	740	710	350	710	52	1030	1450
	4, 6, 8, 10	610	560	254	95	170	25	86	M24	355	28	150	740	710	350	710	52	1030	1480
355L	2	610	630	254	75	140	20	67.5	M20	355	28	150	740	710	350	810	52	1030	1550
	4, 6, 8, 10	610	630	254	95	170	25	86	M24	355	28	150	740	710	350	810	52	1030	1580



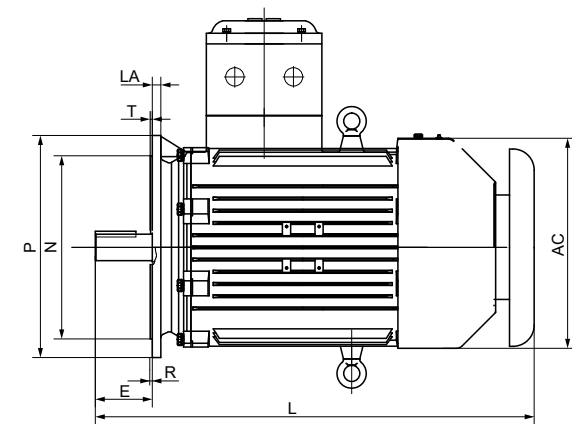
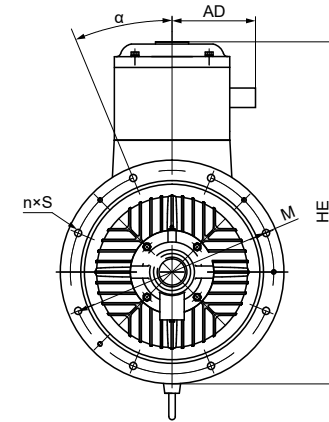
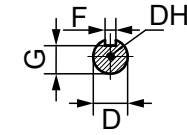
Dimensions B5 / 尺寸 B5

Frame size	Poles	D	E	F	G	DH	H	M	N	P	R	α°	n x S	T	AC	AD	HE	LA	L
80M	2,4,6,8	19	40	6	15.5	M6	80	165	130	200	0	45	4 x 12	3.5	170	180	340	12	330
90S	2,4,6,8	24	50	8	20	M8	90	165	130	200	0	45	4 x 12	3.5	185	180	355	14	370
90L	2,4,6,8	24	50	8	20	M8	90	165	130	200	0	45	4 x 12	3.5	185	180	355	14	395
100L	2,4,6,8	28	60	8	24	M10	100	215	180	250	0	45	4 x 14.5	4	210	180	400	14	448
112M	2,4,6,8	28	60	8	24	M10	112	215	180	250	0	45	4 x 14.5	4	225	200	420	14	500
132S	2,4,6,8	38	80	10	33	M12	132	265	230	300	0	45	4 x 14.5	4	265	200	490	14	550
132M	2,4,6,8	38	80	10	33	M12	132	265	230	300	0	45	4 x 14.5	4	265	200	490	14	600
160M	2,4,6,8	42	110	12	37	M16	160	300	250	350	0	45	4 x 18.5	5	320	220	520	15	720
160L	2,4,6,8	42	110	12	37	M16	160	300	250	350	0	45	4 x 18.5	5	320	220	520	15	750
180M	2,4,6,8	48	110	14	42.5	M16	180	300	250	350	0	45	4 x 18.5	5	360	220	540	18	770
180L	2,4,6,8	48	110	14	42.5	M16	180	300	250	350	0	45	4 x 18.5	5	360	220	540	18	790
200L	2,4,6,8	55	110	16	49	M20	200	350	300	400	0	45	4 x 18.5	5	400	250	650	18	850
225S	4,6,8	60	140	18	53	M20	225	400	350	450	0	22.5	4 x 18.5	5	450	250	695	18	890
225M	2	55	110	16	49	M20	225	400	350	450	0	22.5	4 x 18.5	5	450	250	695	18	890
	4,6,8	60	140	18	53	M20	225	400	350	450	0	22.5	4 x 18.5	5	450	250	695	18	920
250M	2	60	140	18	53	M20	250	500	450	550	0	22.5	4 x 18.5	5	500	275	755	20	965
	4,6,8	65	140	18	58	M20	250	500	450	550	0	22.5	4 x 18.5	5	500	275	755	20	965
280S	2	65	140	18	58	M20	280	500	450	550	0	22.5	4 x 18.5	5	550	275	795	22	1010
	4,6,8	75	140	20	67.5	M20	280	500	450	550	0	22.5	4 x 18.5	5	550	275	795	22	1010
280M	2	65	140	18	58	M20	280	500	450	550	0	22.5	4 x 18.5	5	550	275	795	22	1060
	4,6,8	75	140	20	67.5	M20	280	500	450	550	0	22.5	4 x 18.5	5	550	275	795	22	1060
315S	2	65	140	18	58	M20	315	600	550	660	0	22.5	8 x 24	6	630	350	975	25	1240
	4, 6, 8, 10	80	170	22	71	M20	315	600	550	660	0	22.5	8 x 24	6	630	350	975	25	1270
315M	2	65	140	18	58	M20	315	600	550	660	0	22.5	8 x 24	6	630	350	975	25	1240
	4, 6, 8, 10	80	170	22	71	M20	315	600	550	660	0	22.5	8 x 24	6	630	350	975	25	1270
315L	2	65	140	18	58	M20	315	600	550	660	0	22.5	8 x 24	6	630	350	975	25	1390
	4, 6, 8, 10	80	170	22	71	M20	315	600	550	660	0	22.5	8 x 24	6	630	350	975	25	1420
355S	2	75	140	20	67.5	M20	355	740	680	800	0	22.5	8 x 24	6	710	350	1145	25	1450
	4, 6, 8, 10	95	170	25	86	M24	355	740	680	800	0	22.5	8 x 24	6	710	350	1145	25	1480
355M	2	75	140	20	67.5	M20	355	740	680	800	0	22.5	8 x 24	6	710	350	1145	25	1450
	4, 6, 8, 10	95	170	25	86	M24	355	740	680	800	0	22.5	8 x 24	6	710	350	1145	25	1480
355L	2	75	140	20	67.5	M20	355	740	680	800	0	22.5	8 x 24	6	710	350	1145	25	1550
	4, 6, 8, 10	95	170	25	86	M24	355	740	680	800	0	22.5	8 x 24	6	710	350	1145	25	1580



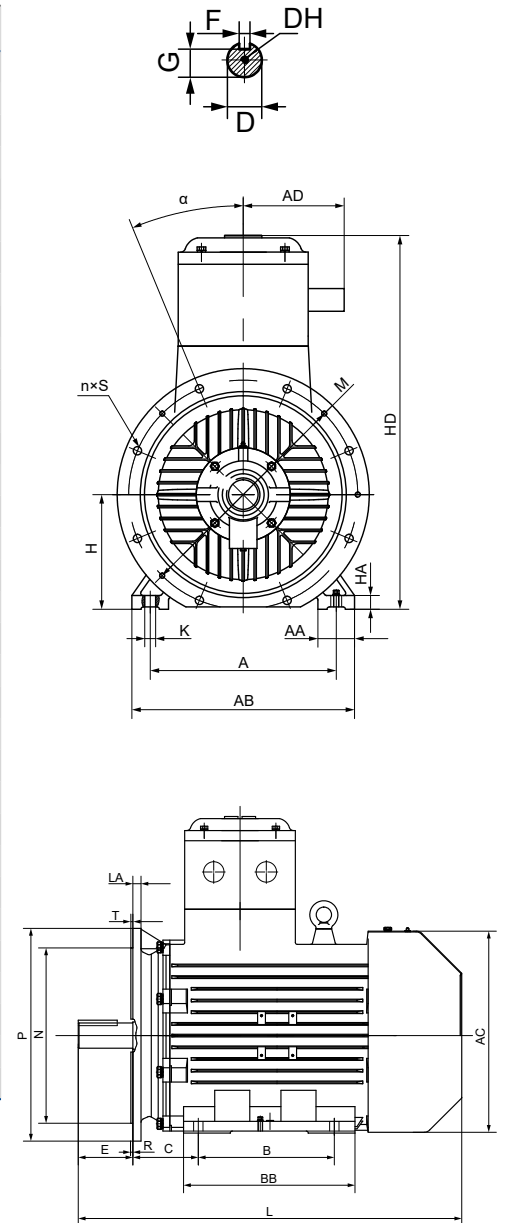
Dimensions V1 / 尺寸 V1

Frame Size	Poles	D	E	F	G	DH	H	M	N	P	R	α°	n×S	T	AC	AD	HE	LA	L
80M	2,4,6,8	19	40	6	15.5	M6	80	165	130	200	0	45	4×12	3.5	170	180	340	12	375
90S	2,4,6,8	24	50	8	20	M8	90	165	130	200	0	45	4×12	3.5	185	180	355	14	415
90L	2,4,6,8	24	50	8	20	M8	90	165	130	200	0	45	4×12	3.5	185	180	355	14	440
100L	2,4,6,8	28	60	8	24	M10	100	215	180	250	0	45	4×14.5	4	210	180	400	14	485
112M	2,4,6,8	28	60	8	24	M10	112	215	180	250	0	45	4×14.5	4	225	200	420	14	560
132S	2,4,6,8	38	80	10	33	M12	132	265	230	300	0	45	4×14.5	4	265	200	490	14	610
132M	2,4,6,8	38	80	10	33	M12	132	265	230	300	0	45	4×14.5	4	265	200	490	14	660
160M	2,4,6,8	42	110	12	37	M16	160	300	250	350	0	45	4×18.5	5	320	220	520	15	780
160L	2,4,6,8	42	110	12	37	M16	160	300	250	350	0	45	4×18.5	5	320	220	520	15	810
180M	2,4,6,8	48	110	14	42.5	M16	180	300	250	350	0	45	4×18.5	5	360	220	540	18	830
180L	2,4,6,8	48	110	14	42.5	M16	180	300	250	350	0	45	4×18.5	5	360	220	540	18	830
200L	2,4,6,8	55	110	16	49	M20	200	350	300	400	0	45	4×18.5	5	400	250	650	18	920
225S	4,6,8	60	140	18	53	M20	225	400	350	450	0	22.5	4×18.5	5	450	250	695	18	960
225M	2	55	110	16	49	M20	225	400	350	450	0	22.5	4×18.5	5	450	250	695	18	990
	4,6,8	60	140	18	53	M20	225	400	350	450	0	22.5	4×18.5	5	450	250	695	18	990
250M	2	60	140	18	53	M20	250	500	450	550	0	22.5	4×18.5	5	500	275	755	20	1055
	4,6,8	65	140	18	58	M20	250	500	450	550	0	22.5	4×18.5	5	500	275	755	20	1055
280S	2	65	140	18	58	M20	280	500	450	550	0	22.5	4×18.5	5	550	275	795	22	1100
	4,6,8	75	140	20	67.5	M20	280	500	450	550	0	22.5	4×18.5	5	550	275	795	22	1100
280M	2	65	140	18	58	M20	280	500	450	550	0	22.5	4×18.5	5	550	275	795	22	1150
	4,6,8	75	140	20	67.5	M20	280	500	450	550	0	22.5	4×18.5	5	550	275	795	22	1150
315S	2	65	140	18	58	M20	315	600	550	660	0	22.5	8×24	6	630	350	975	25	1340
	4,6,8,10	80	170	22	71	M20	315	600	550	660	0	22.5	8×24	6	630	350	975	25	1370
315M	2	65	140	18	58	M20	315	600	550	660	0	22.5	8×24	6	630	350	975	25	1340
	4,6,8,10	80	170	22	71	M20	315	600	550	660	0	22.5	8×24	6	630	350	975	25	1370
315L	2	65	140	18	58	M20	315	600	550	660	0	22.5	8×24	6	630	350	975	25	1490
	4,6,8,10	80	170	22	71	M20	315	600	550	660	0	22.5	8×24	6	630	350	975	25	1520
355	2	75	140	20	67.5	M20	355	740	680	800	0	22.5	8×24	6	710	350	1145	25	1590
	4,6,8,10	95	170	25	86	M24	355	740	680	800	0	22.5	8×24	6	710	350	1145	25	1620
355M	2	75	140	20	67.5	M20	355	740	680	800	0	22.5	8×24	6	710	350	1145	25	1590
	4,6,8,10	95	170	25	86	M24	355	740	680	800	0	22.5	8×24	6	710	350	1145	25	1620
355L	2	75	140	20	67.5	M20	355	740	680	800	0	22.5	8×24	6	710	350	1145	25	1690
	4,6,8,10	95	170	25	86	M24	355	740	680	800	0	22.5	8×24	6	710	350	1145	25	1720



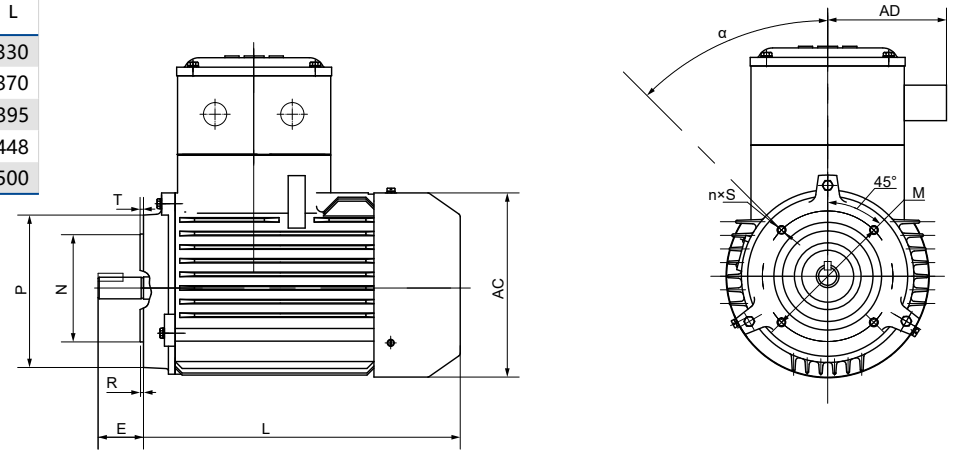
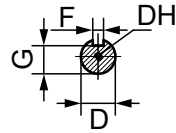
Dimensions B35 / 尺寸 B35

Frame size	Poles	A	B	C	D	E	F	G	DH	H	K	M	N	P	R	α°	n×S	T	AA	AB	AC	AD	BB	HA	HD	LA	L
80M	2,4,6,8	125	100	50	19	40	6	15.5	M6	80	10	165	130	200	0	45	4×12	3.5	34	165	170	180	130	10	320	12	330
90S	2,4,6,8	140	100	56	24	50	8	20	M8	90	10	165	130	200	0	45	4×12	3.5	36	180	185	180	135	14	330	14	370
90L	2,4,6,8	140	125	56	24	50	8	20	M8	90	10	165	130	200	0	45	4×12	3.5	36	180	185	180	160	14	330	14	395
100L	2,4,6,8	160	140	63	28	60	8	24	M10	100	12	215	180	250	0	45	4×14.5	4	43	205	210	180	180	14	360	14	448
112M	2,4,6,8	190	140	70	28	60	8	24	M10	112	12	215	180	250	0	45	4×14.5	4	50	240	225	200	180	16	380	14	500
132S	2,4,6,8	216	140	89	38	80	10	33	M12	132	12	265	230	300	0	45	4×14.5	4	60	280	265	200	190	18	430	14	550
132M	2,4,6,8	216	178	89	38	80	10	33	M12	132	12	265	230	300	0	45	4×14.5	4	60	280	265	200	230	18	430	14	600
160M	2,4,6,8	254	210	108	42	110	12	37	M16	160	14.5	300	250	350	0	45	4×18.5	5	70	320	320	220	260	20	500	15	720
160L	2,4,6,8	254	254	108	42	110	12	37	M16	160	14.5	300	250	350	0	45	4×18.5	5	70	320	320	220	310	20	500	15	750
180M	2,4,6,8	279	241	121	48	110	14	42.5	M16	180	14.5	300	250	350	0	45	4×18.5	5	70	355	360	220	315	25	540	18	770
180L	2,4,6,8	279	279	121	48	110	14	42.5	M16	180	14.5	300	250	350	0	45	4×18.5	5	70	355	360	220	355	25	540	18	790
200L	2,4,6,8	318	305	133	55	110	16	49	M20	200	18.5	350	300	400	0	45	4×18.5	5	70	400	400	250	370	25	650	18	850
225S	4,6,8	356	286	149	60	140	18	53	M20	225	18.5	400	350	450	0	22.5	4×18.5	5	75	435	450	250	360	28	695	18	890
225M	2	356	311	149	55	110	16	49	M20	225	18.5	400	350	450	0	22.5	4×18.5	5	75	435	450	250	385	28	695	18	890
	4,6,8	356	311	149	60	140	18	53	M20	225	18.5	400	350	450	0	22.5	4×18.5	5	75	435	450	250	385	28	695	18	920
250M	2	406	349	168	60	140	18	53	M20	250	24	500	450	550	0	22.5	4×18.5	5	80	500	500	275	430	30	730	20	965
	4,6,8	406	349	168	65	140	18	58	M20	250	24	500	450	550	0	22.5	4×18.5	5	80	500	500	275	430	30	730	20	965
280S	2	457	368	190	65	140	18	58	M20	280	24	500	450	550	0	22.5	4×18.5	5	85	545	550	275	455	35	800	22	1010
	4,6,8	457	368	190	75	140	20	67.5	M20	280	24	500	450	550	0	22.5	4×18.5	5	85	545	550	275	455	35	800	22	1010
280M	2	457	419	190	65	140	18	58	M20	280	24	500	450	550	0	22.5	4×18.5	5	85	545	550	275	505	35	800	22	1060
	4,6,8	457	419	190	75	140	20	67.5	M20	280	24	500	450	550	0	22.5	4×18.5	5	85	545	550	275	505	35	800	22	1060
315S	2	508	406	216	65	140	18	58	M20	315	28	600	550	660	0	22.5	8×24	6	120	640	630	350	630	45	960	25	1240
	4,6,8,10	508	406	216	80	170	22	71	M20	315	28	600	550	660	0	22.5	8×24	6	120	640	630	350	630	45	960	25	1270
315M	2	508	457	216	65	140	18	58	M20	315	28	600	550	660	0	22.5	8×24	6	120	640	630	350	630	45	960	25	1240
	4,6,8,10	508	406	216	80	170	22	71	M20	315	28	600	550	660	0	22.5	8×24	6	120	640	630	350	630	45	960	25	1270
315L	2	508	508	216	65	140	18	58	M20	315	28	600	550	660	0	22.5	8×24	6	120	640	630	350	780	45	960	25	1390
	4,6,8,10	508	508	216	80	170	22	71	M20	315	28	600	550	660	0	22.5	8×24	6	120	640	630	350	780	45	960	25	1420
355	2	610	500	254	75	140	20	67.5	M20	355	28	740	680	800	0	22.5	8×24	6	150	740	710	350	710	52	1030	25	1450
	4,6,8,10	610	500	254	95	170	25	86	M24	355	28	740	680	800	0	22.5	8×24	6	150	740	710	350	710	52	1030	25	1480
355M	2	610	560	254	75	140	20	67.5	M20	355	28	740	680	800	0	22.5	8×24	6	150	740	710	350	710	52	1030	25	1450
	4,6,8,10	610	560	254	95	170	25	86	M24	355	28	740	680	800	0	22.5	8×24	6	150	740	710	350	710	52	1030	25	1480
355L	2	610	630	254	75	140	20	67.5	M20	355	28	740	680	800	0	22.5	8×24	6	150	740	710	350	810	52	1030	25	1550
	4,6,8,10	610	630	254	95	170	25	86	M24	355	28	740	680	800	0	22.5	8×24	6	150	740	710	350	810	52	1030	25	1580



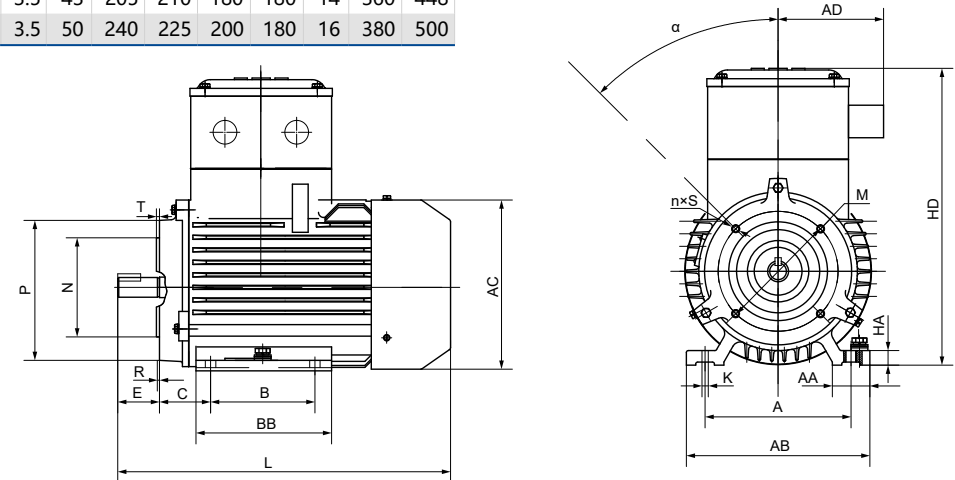
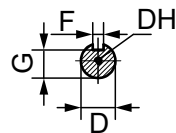
Dimensions B14 / 尺寸 B14

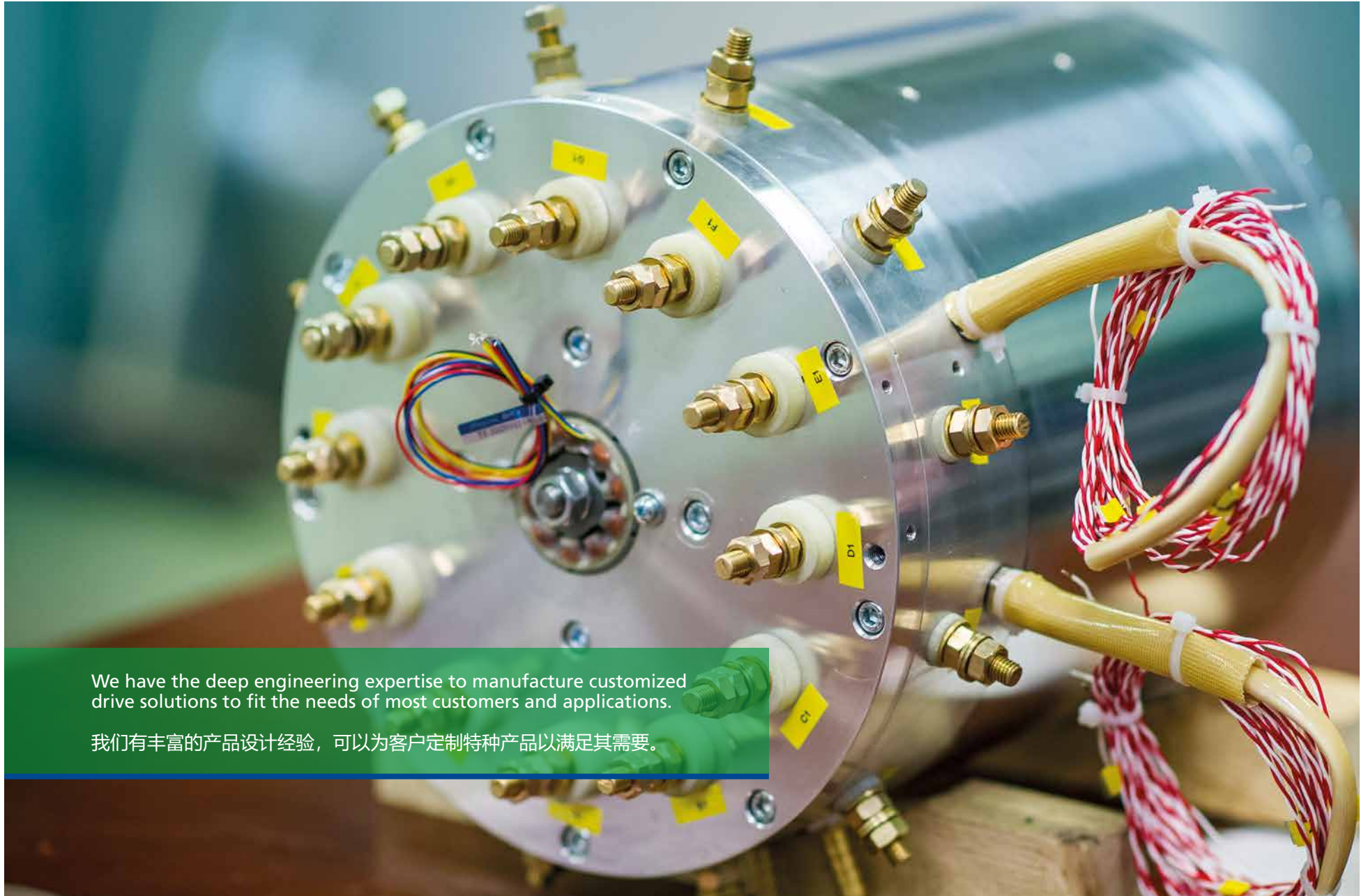
Frame size	Poles	D	E	F	G	DH	H	M	N	P	R	α°	n x S	T	AC	AD	L
80M	2,4,6,8	19	40	6	15,5	M6	80	100	80	120	0	45	4 x 12	3.0	170	180	330
90S	2,4,6,8	24	50	8	20	M8	90	115	95	140	0	45	4 x 12	3.0	185	180	370
90L	2,4,6,8	24	50	8	20	M8	90	115	95	140	0	45	4 x 12	3.0	185	180	395
100L	2,4,6,8	28	60	8	24	M10	100	130	110	160	0	45	4 x 14.5	3.5	210	180	448
112M	2,4,6,8	28	60	8	24	M10	112	130	110	160	0	45	4 x 14.5	3.5	225	200	500



Dimensions B34 / 尺寸 B34

Frame size	Poles	A	B	C	D	E	F	G	DH	H	K	M	N	P	R	α°	n x S	T	AA	AB	AC	AD	BB	HA	HD	L
80M	2,4,6,8	125	100	50	19	40	6	15.5	M6	80	10	100	80	120	0	45	4 x 12	3.0	34	165	170	180	130	10	320	330
90S	2,4,6,8	140	100	56	24	50	8	20	M8	90	10	115	95	140	0	45	4 x 12	3.0	36	180	185	180	135	14	330	370
90L	2,4,6,8	140	125	56	24	50	8	20	M8	90	10	115	95	140	0	45	4 x 12	3.0	36	180	185	180	160	14	330	395
100L	2,4,6,8	160	140	63	28	60	8	24	M10	100	12	130	110	160	0	45	4 x 14.5	3.5	43	205	210	180	180	14	360	448
112M	2,4,6,8	190	140	70	28	60	8	24	M10	112	12	130	110	160	0	45	4 x 14.5	3.5	50	240	225	200	180	16	380	500





We have the deep engineering expertise to manufacture customized drive solutions to fit the needs of most customers and applications.

我们有丰富的产品设计经验，可以为客户定制特种产品以满足其需要。

OUR ENERGY – YOUR SUCCESS



Contact information for BEVI and our distributors is continuously updated on our website www.bevi.com.

BEVI及其经销商的联系方式在 www.bevi.com上持续更新。

Sweden

BEVI AB (Headquarters)
Blomstermåla
Tel. +46-499-271 00
Fax +46-499-200 08
info@bevi.se
www.bevi.se

BEVI AB (Regional office)
Umeå
Tel. +46 90-70 44 30
bevinord@bevi.se
www.bevi.se

Denmark

BEVI A/S
Hedehusene
Tel. +45 39 67 36 05
bevi@bevi.dk
www.bevi.dk

Norway

BEVI Norge AS
Oslo
Tel. +47 23 19 16 50
info@bevi.no
www.bevi.no

Finland

BEVI Finland OY AB
Espoo
Tel. +358 9 2709 1210
info@bevi.fi
www.bevi.fi

China

BEVI Electric Shanghai Co., Ltd.
Shanghai
Tel. +86 21 5032 5200
Fax +86 21 5032 5202
sales@bevi.cn
www.bevi.cn